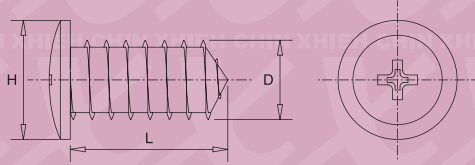


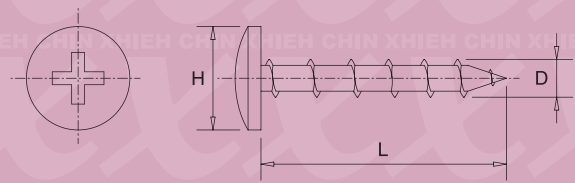
B1047



B1047 D*L*H

D	L	H
8#	5/8	12

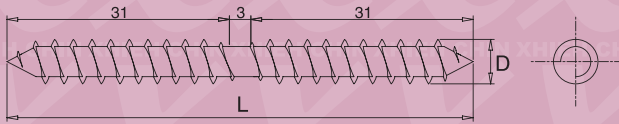
B1051



B1051 D*L*H

D	L	H
6#	3/4	8

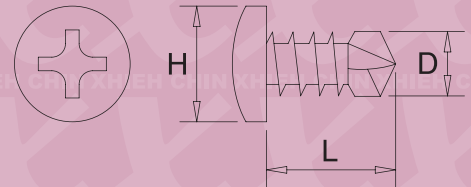
B1048



B1048 D*L

D	L
1/4"	65

B1052



B1052 D*L*H

D	L	H
4.7	9.5	8.5

B1049

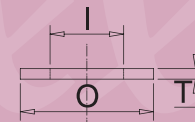


B1049 D*L*H

D	L	H
8#	3.5"	7.42-8.43
10#	4.5"	8.64-9.78
10#	5.5"	8.64-9.78



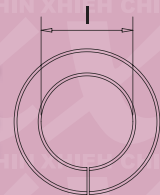
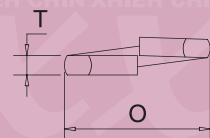
C0330



C0330 I*O*T

I	O	T
4	8	0.9
10	51	2
3/16"	10,12,13,14,16	1.0,1.5
1/4"	12,13,14,16,19,23,26,30	1.0,1.2,1.5,2.0
5/16"	14,16,18,19,20,21,22,23,26,30,35,20.5	1.5,2.0,2.5,3.0
5/32"	10	1.0
3/8"	19,22,23,25,25.4	1.0,1.5,2.0,2.8

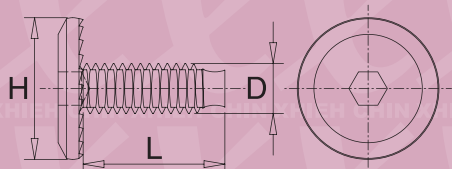
C0348



C0348 I*O*T

I	O	T
3/16"	9	1
1/4"	11	1.4
5/16"	13	1.8
5/16"	14.5	2.3
3/8"	16,18	2.2,2.5,3.0

B1050

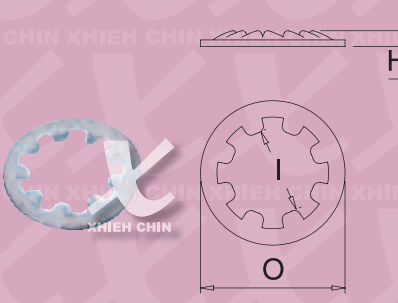


B1050 D*L*H

D	L	H
M6	17	17
M6	28	17

XHIEH CHIN HARDWARE

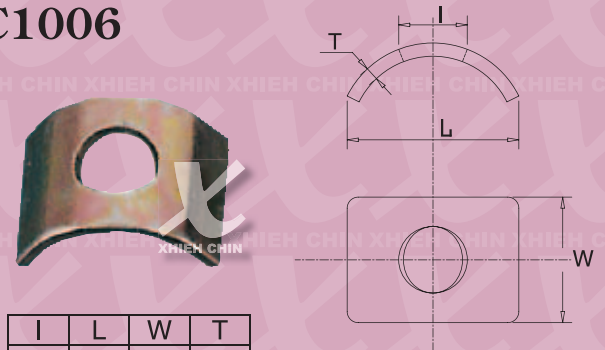
C1001



C1001 I*O*H

I	O	H
5/16"	15	0.7
3/8"	15	0.5
M6	11	0.6
M8	15	0.7
M10	15.2	0.7

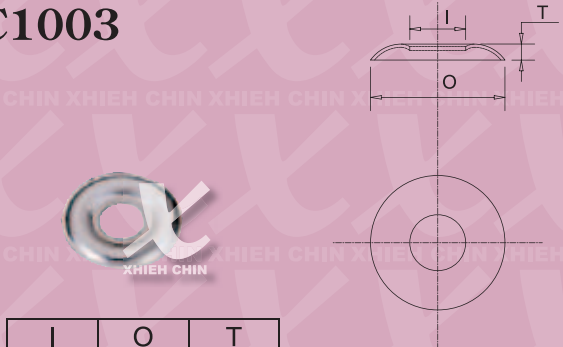
C1006



C1006 I*L*W*T

I	L	W	T
5/16	22	17	1.5

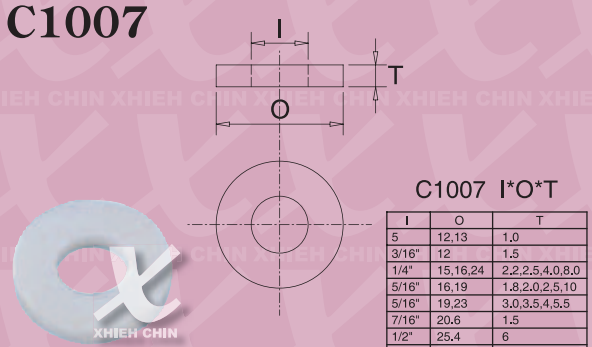
C1003



C1003 I*O*T

I	O	T
3/16	13	1.5

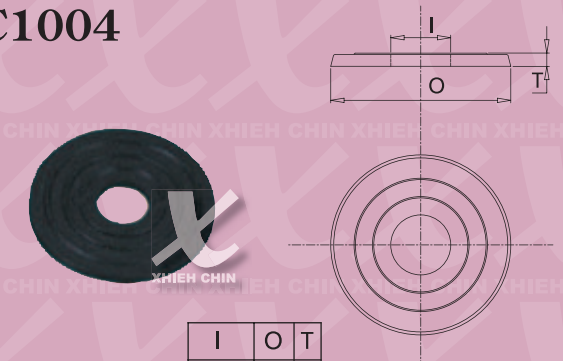
C1007



C1007 I*O*T

I	O	T
5	12,13	1.0
3/16"	12	1.5
1/4"	15,16,24	2,2,2.5,4,0,8,0
5/16"	16,19	1.8,2.0,2.5,10
5/16"	19,23	3,0,3.5,4,5,5
7/16"	20,6	1.5
1/2"	25,4	6
1 1/16"	50,8	3,2
1 1/2"	63,5	3,3
7,9	13	2,0

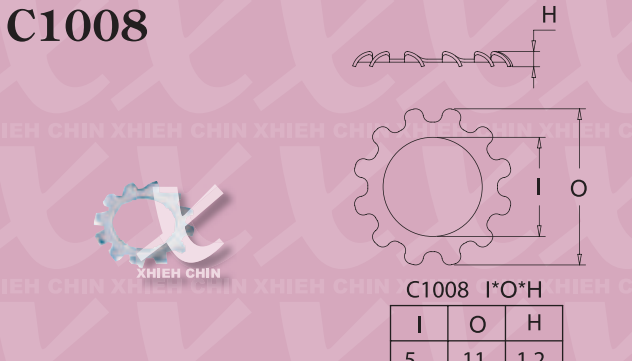
C1004



C1004 I*O*T

I	O	T
5/16"	27	2

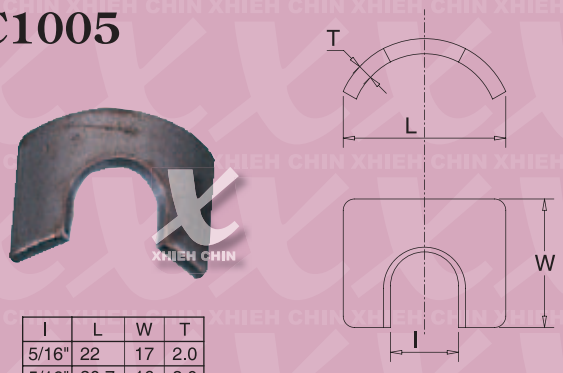
C1008



C1008 I*O*H

I	O	H
5	11	1.2
4.4	9.3	1.2

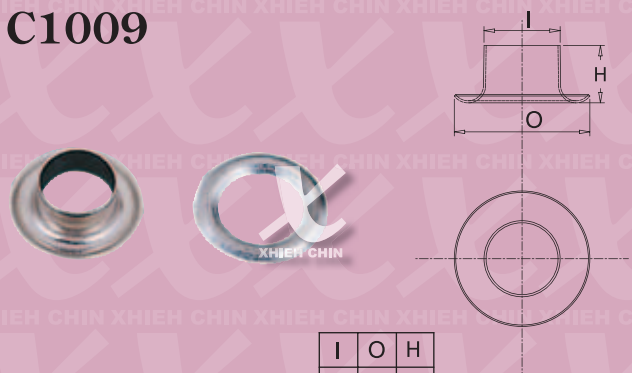
C1005



C1005 I*L*W*T

I	L	W	T
5/16"	22	17	2.0
5/16"	30.7	16	3.0

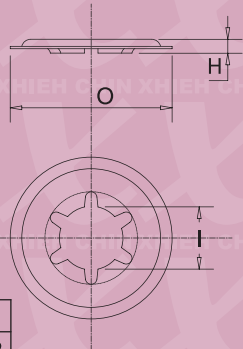
C1009



C1009 I*O*H

I	O	H
9.5	17	6.0

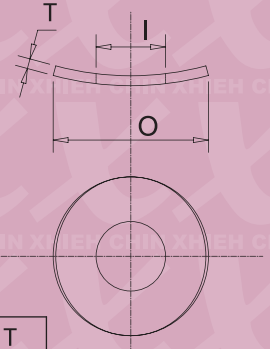
C1010



I	O	H
1/4"	14	1.2
1/4"	16	1.0

C1010 I*O*H

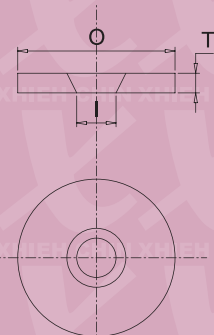
C1015



I	O	T
5/16"	19	1.5

C1015 I*O*T

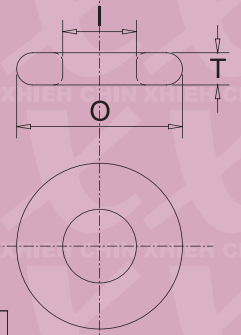
C1011



I	O	T
4	16	2.0
4	16	1.5

C1011 I*O*T

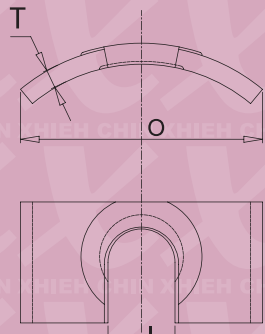
C1016



I	O	T
5/16"	18	2.5, 3.5, 6.2
7.5	15	5

C1016 I*O*T

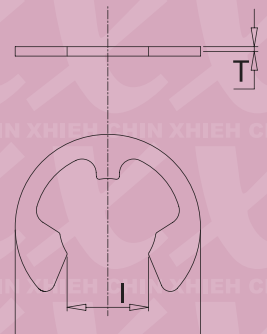
C1013



I	O	T
1/4"	27	2.5

C1013 I*O*T

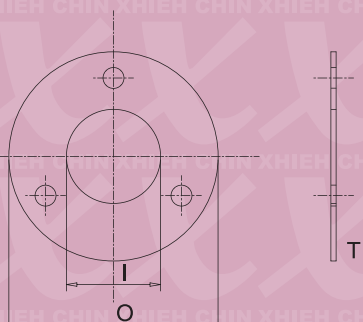
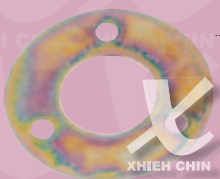
C1017



I	O	T
4	9	1.0
6	12	1.0
10	20	1.0

C1017 I*O*T

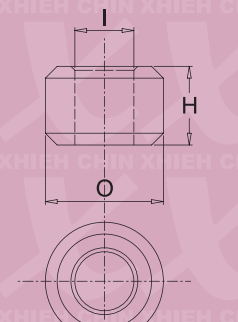
C1014



I	O	T
11/16"	40	1.2

C1014 I*O*T

C1018

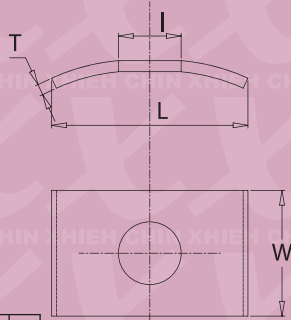


I	O	H
7.5	15	10

C1018 I*O*H

XHIEH CHIN HARDWARE

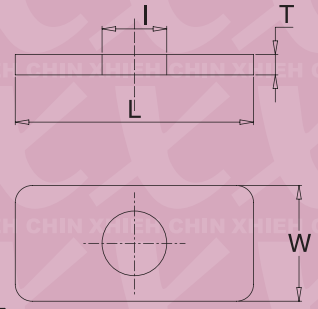
C1019



I	L	W	T
5/16"	20	17	1.6

C1019 I*L*W*T

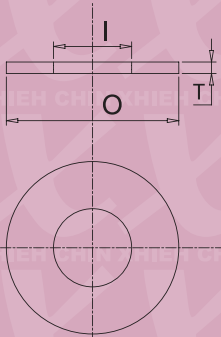
C1023



I	L	W	T
9.5	35	17	3.0

C1023 I*L*W*T

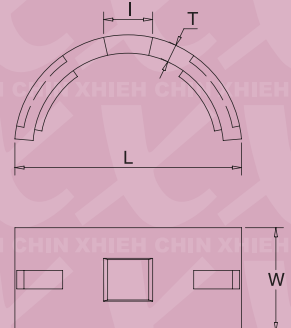
C1020



I	O	T
6.5	15	1.0
6.5	16	1.0

C1020 I*O*T

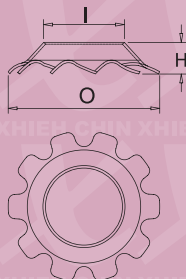
C1024



I	L	W	T
6.5	36	16	3.0

C1024 I*L*W*T

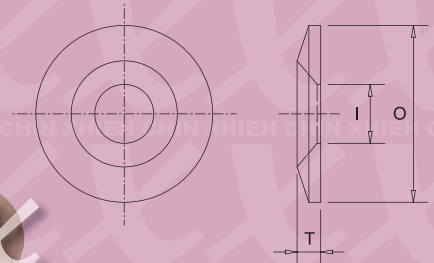
C1021



I	O	H
6.5	12	2.5

C1021 I*O*H

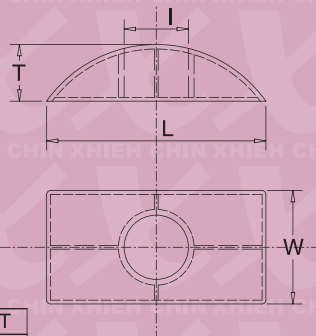
C1025



I	O	T
5	15	2.0

C1025 I*O*T

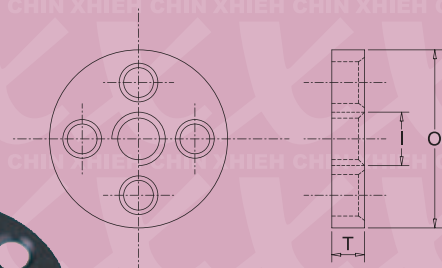
C1022



I	L	W	T
5/16"	29	15	8
5/16"	31	15	8.5

C1022 I*L*W*T

D0293



I	O	T
3/8"	50	4

D0293 I*O*T